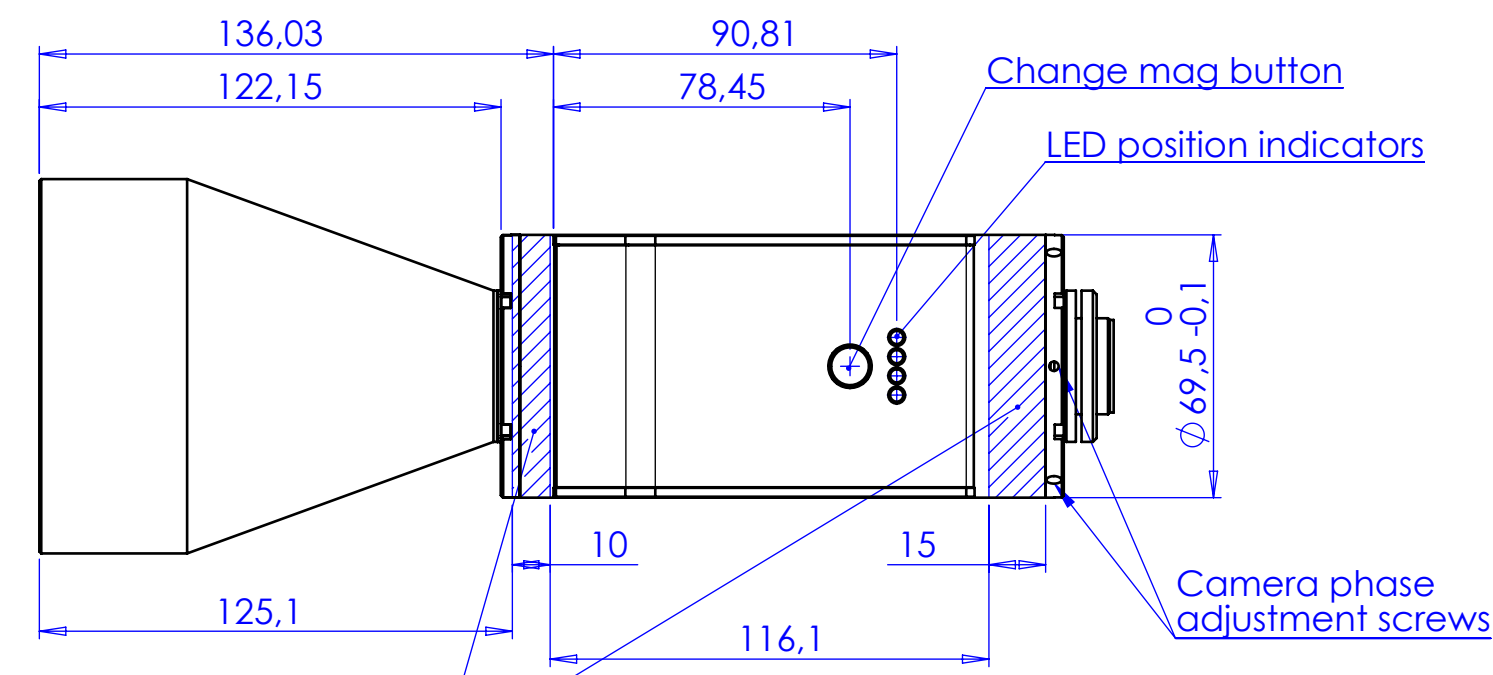
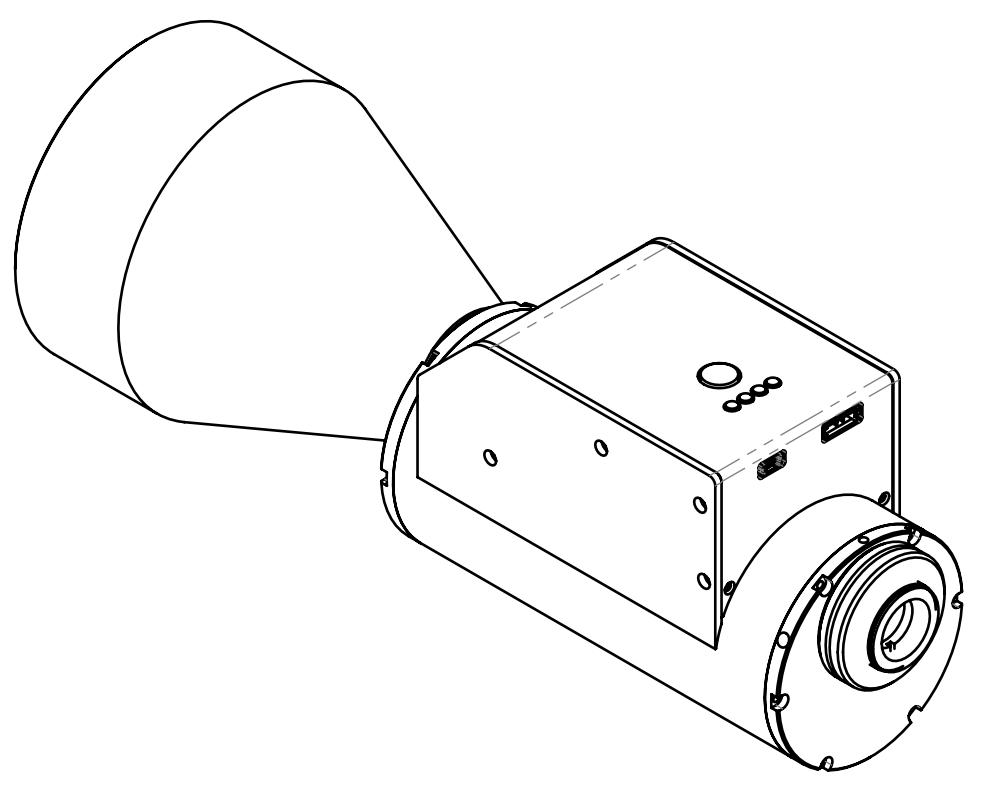
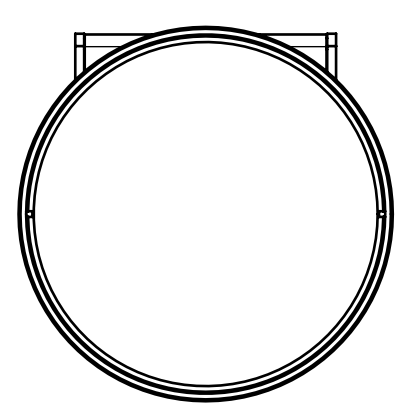
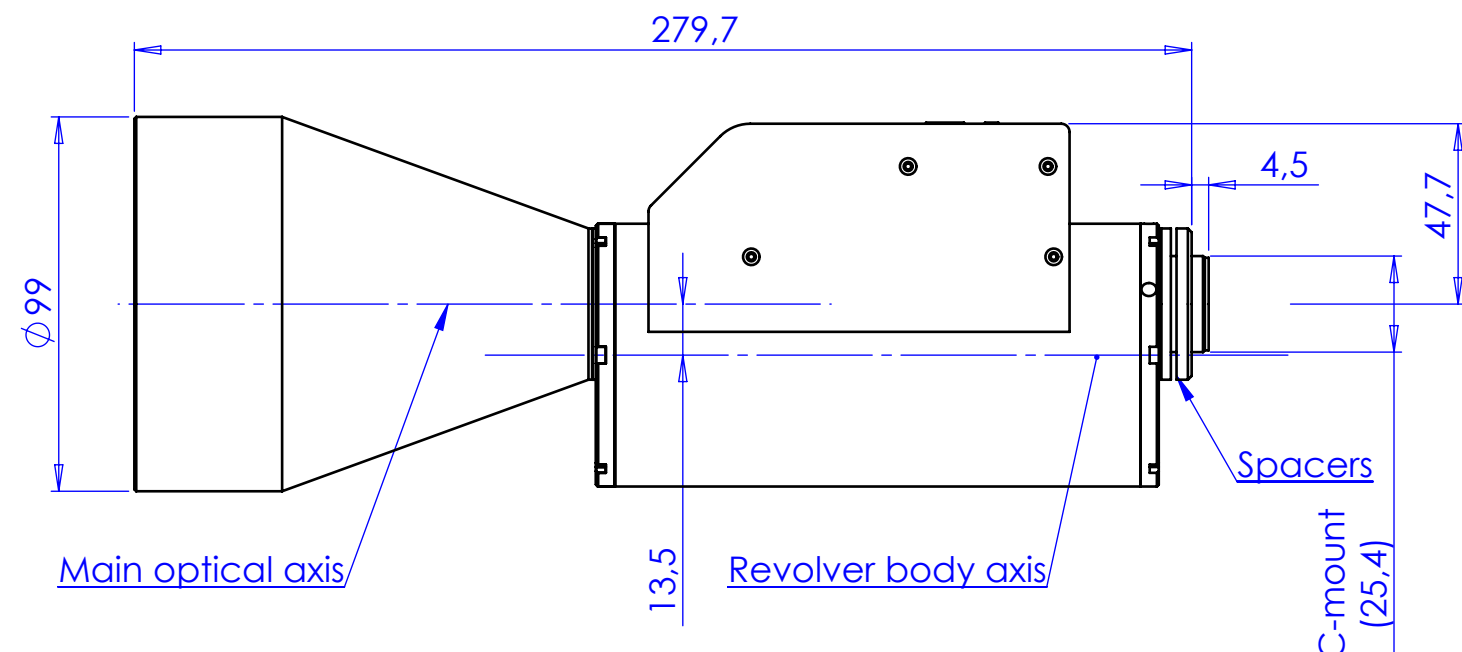
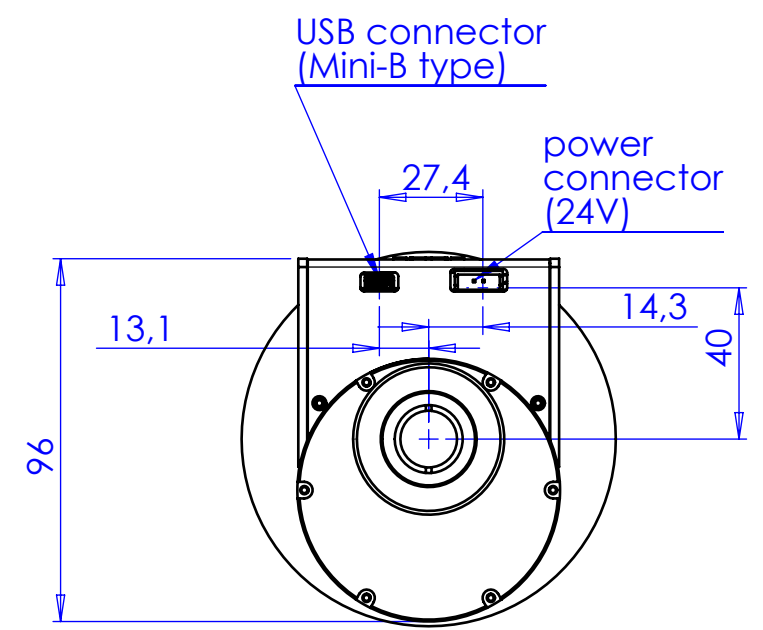


Rev No.	Description	Date	Name



Clamping diameter

Material	N.A.		Mass	2.47 kg	Scale	1:2	
Surface treatment	N.A.		Part No.	CO15079			
Geometrical tolerance (ISO 2768-2)			Class		K	Description <b>TC ZR 072</b>	
Linear tolerance (ISO 2768-2)			Class	m	Undimensioned bevels		0.5x45°
0.5 ±3	>3± 6	>6± 30	>30± 120	>120 ±400	>400± 1000	>1000 ±2000	>2000 ±4000
±0.1	±0.1	±0.2	±0.3	±0.5	±0.8	±1.2	±2
all dimensions are in mm			Date		Name	Drawing No.	Sheet
 <b>OPTO ENGINEERING S.r.l. - Mantova Italy - Tel. +39 0376 699111 - www.opto-engineering.com</b>			Designed	30/01/2014	A. Vismara	<b>DP 15079-A</b>	1/1
			Drawn	04/04/2014	A. Vismara		
			Checked				
<i>Secret and confidential - All rights reserved - No copy, dissemination or circulation is allowed unless specifically authorized in writing by OPTO ENGINEERING S.r.l. - Any violation shall be legally prosecuted.</i>							